



MANUFACTURED HOUSING OIL FURNACES

*M5SB*A - Downflow Without Coil Box*

*M5SB*B - Downflow With Coil Box*

Unique Manufactured Housing Design with a robust, 19-3/4"W, fully-insulated cabinet to fit the standard MH footprint; the M5SB is our latest HUD-compliant, oil furnace.

AC-Ready Options include a factory-installed 20"H coil box, field-installed 26"H coil box, and blower upgrades for up to 5-Tons nominal cooling. (See CMH-Series Coil Specifications Sheet or visit www.marsdeliversratings.com for available AHRI-rated coil-fit matches)

High-Performance Combustion System including a Beckett burner and drum heat exchanger, which contribute to the overall efficiency, reliability, and homeowner's peace of mind.

Numerous Application Accessories save the hassle of field-fabrication, sourcing and repeat supply-house trips; on new or replacement jobs.



M5SB*A

M5SB*B



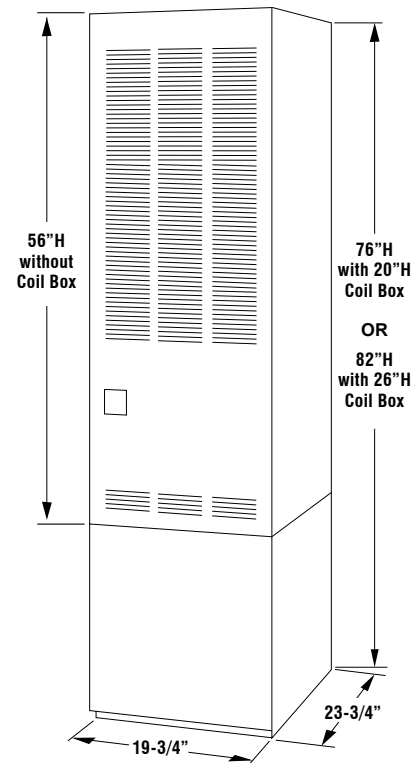
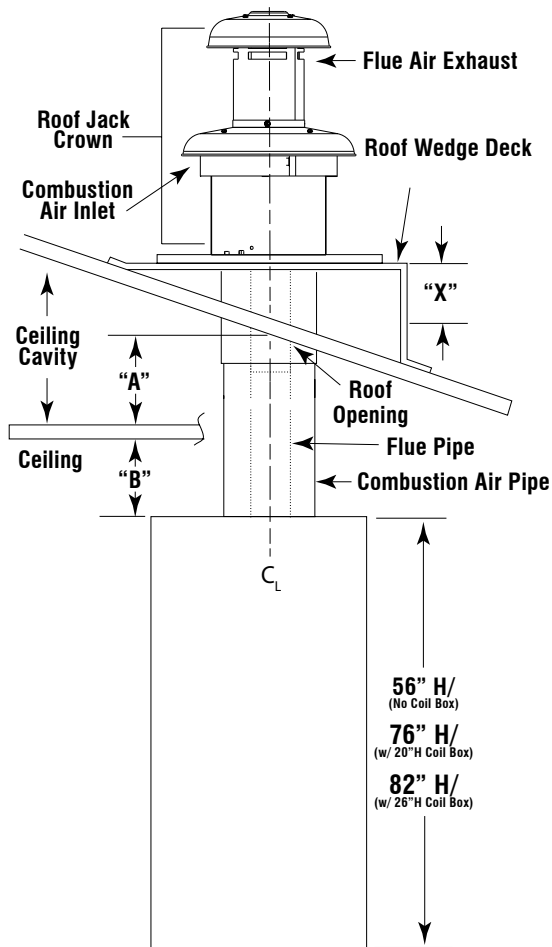
Warranty—1 year labor, 2 years on parts
(Some limitations apply; see printed warranty for details.)

www.comfort-aire.com

M5SB 83% AFUE DOWNFLOW OIL FURNACES

Model #	Coil Box	Input	Heating Capacity	Dimensions H x D x W	Shipping Dimensions H x D x W	Ship Wt.	Nozzle	AC (PSC) Blower	MOCP
M5SB-066A-AW*	No, Optional *	66 MBH	56 MBH	56"x 23-3/4"x 19-3/4"	58-1/8"x 26-1/2"x 21-5/16"	151 lb.	.50 Gph, 80°A	3T, 1/4hp	15A
M5SB-086A-AW*	No, Optional *	86 MBH	72 MBH	56"x 23-3/4"x 19-3/4"	58-1/8"x 26-1/2"x 21-5/16"	158 lb.	.65 Gph, 80°A	3T, 1/4hp	15A
M5SB-066A-BW*	Yes, 20"H	66 MBH	56 MBH	76"x 23-3/4"x 19-3/4"	78-1/8" x 26-1/2"x 21-5/16"	165 lb.	.50 Gph, 80°A	3T, 1/4hp	15A
M5SB-086A-BW*	Yes, 20"H	86 MBH	72 MBH	76"x 23-3/4"x 19-3/4"	78-1/8" x 26-1/2"x 21-5/16"	173 lb.	.65 Gph, 80°A	3T, 1/4hp	15A

* If adding a central air split system, you must also order a separate field-installed coil box.



"This product complies with all California product labeling laws including, but not limited to, the Safe Drinking Water and Toxic Enforcement Act of 1986, more commonly known as Proposition 65."

Due to ongoing product improvements, specifications and dimensions are subject to change and correction without notice or incurring obligations. Determining the application and suitability for use of any product is the responsibility of the installer. Additionally, the installer is responsible for verifying dimensional data on the actual product prior to beginning any installation preparations. Third party incentive and rebate programs have precise requirements as to product performance and certification. All products meet applicable regulations in effect on date of manufacture; however, certifications are not necessarily granted for the life of a product. Therefore, it is the responsibility of the applicant to determine whether a specific model qualifies for these incentive/rebate programs.