



MANUFACTURED HOUSING ELECTRIC FURNACES

E7ED - Downflow

E7EM - Upflow / Downflow

Unique Manufactured Housing Design with a robust, 20"W, fully-insulated cabinet to fit the classic MH footprint for replacement opportunities; the E7EM is our most versatile, HUD-compliant, electric furnace.

AC-Ready 4-Ton ECM Blower (5-Ton upgrade available) with 16 dip-switch speed-settings, and a factory or field-installed 31-1/2"H coil box to support increasing coil sizes, necessary to reach higher capacities and DOE minimum-efficiencies. (See CMH-Series Coil Specifications Sheet or visit www.marsdeliversratings.com for available AHRI-rated coil-fit matches)

Modern Controls include quiet heater relays and a printed circuit board that eliminates the need for an additional (central air) time delay relay.

Numerous Application Accessories save the hassle of field-fabrication, sourcing and repeat supply-house trips; on new or replacement jobs.



E7ED



E7EM



Warranty—1 year labor, 2 years on parts
(Some limitations apply; see printed warranty for details.)

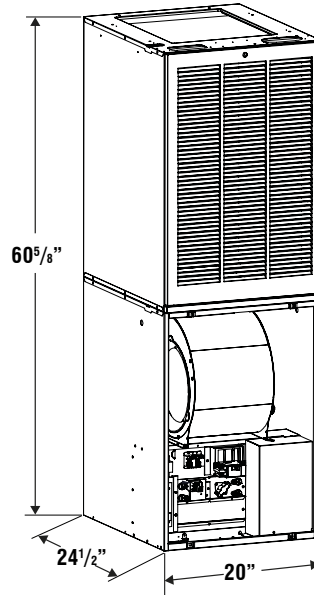
www.comfort-aire.com

E7ED - Downflow

Model #	Air-Coil Box	Dimensions H x D x W
E7ED-010H*	31-1/2"H	60-5/8"x 24-1/2" x 20"
E7ED-012H*	31-1/2"H	60-5/8"x 24-1/2" x 20"
E7ED-015H*	31-1/2"H	60-5/8"x 24-1/2" x 20"
E7ED-017H*	31-1/2"H	60-5/8"x 24-1/2" x 20"
E7ED-020H*	31-1/2"H	60-5/8"x 24-1/2" x 20"
E7ED-023H*	31-1/2"H	60-5/8"x 24-1/2" x 20"
Ships: 26-1/2"L x 21"W x 62"H @ 112 lbs		

E7EM - Upflow / Downflow

Model #	Air-Coil Box	Dimensions H x D x W
E7EM-010H*	None	29"x 24-1/2" x 20"
E7EM-012H*	None	29"x 24-1/2" x 20"
E7EM-015H*	None	29"x 24-1/2" x 20"
E7EM-017H*	None	29"x 24-1/2" x 20"
E7EM-020H*	None	29"x 24-1/2" x 20"
E7EM-023H*	None	29"x 24-1/2" x 20"
Ships: 26-1/2"L x 21"W x 30"H @ 75 lbs		



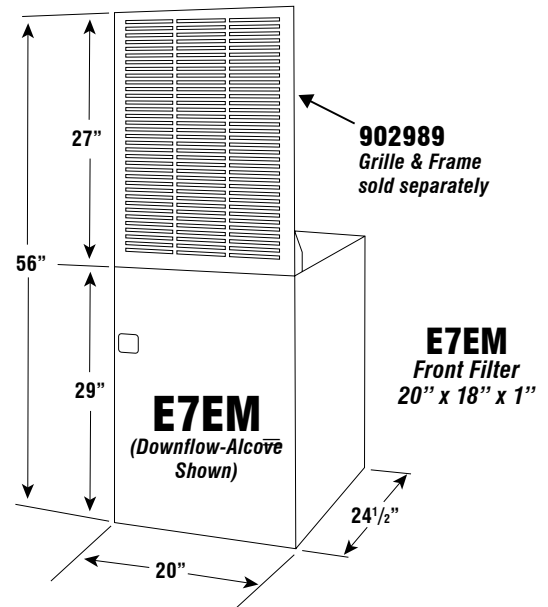
E7ED
Front Filter
30" x 18" x 1"

E7ED



ELECTRICAL SPECIFICATIONS

Model	Htr Bnks	Heating Output@240V	Supply Circuit(s)	Total Current	MCA	MOP	
E7*10*	2	10.0 kW	35 MBH	Single	45.3 A	57 A	60 A
E7*12*	2	11.6 kW	41 MBH	Single	51.6 A	65 A	70 A
				Dual-A	27.8 A	35 A	35 A
E7*15*	3	15.0 kW	53 MBH	Dual-B	24.2 A	30 A	35 A
				Single	66.1 A	83 A	90 A
E7*17*	3	16.2k W	57 MBH	Dual-A	45.3 A	57 A	60 A
				Dual-B	20.8 A	26 A	30 A
E7*20*	4	20.0k W	70 MBH	Single	71.1 A	89 A	90 A
				Dual-A	45.0 A	56 A	60 A
E7*23*	4	21.6k W	75 MBH	Dual-B	26.1 A	33 A	35 A
				Single	86.9 A	109 A	110 A
E7*20*	4	20.0k W	70 MBH	Dual-A	45.3 A	57 A	60 A
				Dual-B	41.7 A	52 A	60 A
E7*23*	4	21.6k W	75 MBH	Single	93.6 A	117 A	125 A
				Dual-A	45.3 A	57 A	60 A
E7*23*	4	21.6k W	75 MBH	Dual-B	48.0 A	60 A	60 A



902989
Grille & Frame
sold separately

E7EM
Front Filter
20" x 18" x 1"

"This product complies with all California product labeling laws including, but not limited to, the Safe Drinking Water and Toxic Enforcement Act of 1986, more commonly known as Proposition 65."

Due to ongoing product improvements, specifications and dimensions are subject to change and correction without notice or incurring obligations. Determining the application and suitability for use of any product is the responsibility of the installer. Additionally, the installer is responsible for verifying dimensional data on the actual product prior to beginning any installation preparations.

Third party incentive and rebate programs have precise requirements as to product performance and certification. All products meet applicable regulations in effect on date of manufacture; however, certifications are not necessarily granted for the life of a product. Therefore, it is the responsibility of the applicant to determine whether a specific model qualifies for these incentive/rebate programs.